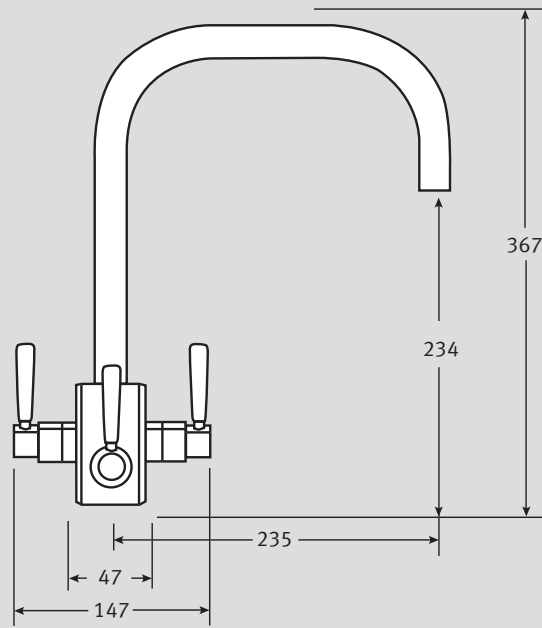


Franke Triflow Kubus Tap Specifications

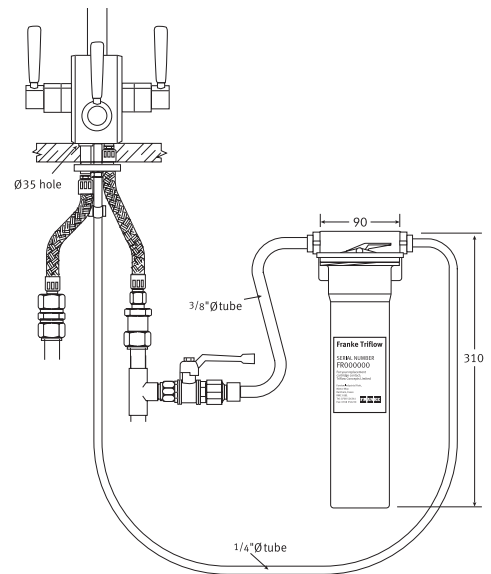
- 3 handled quarter turn mixer
- Provides Hot, Cold and Purified water from a single mixer
- Dedicated handle and spout outlet for purified water
- Includes an integrated Filter System
- Exceptional Filtration capability to 0.2 micron
- Compatible with most Franke sinks
- Available in Chrome or SilkSteel
- Biflow spout
- Meets all certification approval requirements
- Requires cut-out: $\varnothing 35\text{mm}$
- Fully guaranteed with nationwide servicing



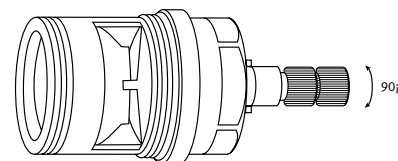
Material:	Solid brass machined body and tubular brass spout
Type:	Quarter turn mixer
Spout:	Biflow tubular spout with bayonet and screw fitting
Tails:	Flexi tails
Tap Height:	234 (overall tap height 367)
Spout Reach:	235
Handle Width:	147
Colours:	Chrome or SilkSteel
Maximum Water Pressure:	75 PSI (5 bar)
Maximum Hot-Water Temperature:	70°C
Recommended Hot-Water Temperature:	65°C
Guarantee:-	Ceramic mechanism: 5 year Surface: 1 year
Joints:	It is recommended that compression fittings are used to link the tap to the supply

Some taps may require bracing to avoid flexing of the sink ledge

Tails:



Valve Mechanism:



*Avilion: 01708 526361

All Franke taps are designed to conform with Water Research Council requirements

NB. Ceramic disc taps in certain installations or where there is a low head of water (below 4 metres) may not provide adequate flow rates. You are advised to check with your supplier.