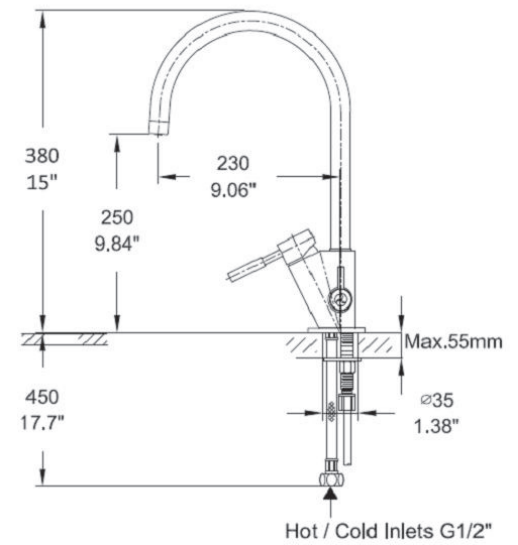


Cascade

3-way tap



Installation Dimension Drawing



Features

- Single lever dispenses hot/cold water
- Dedicated drinking water lever
- Top quality hard wearing ceramic disk valves
- High end plated finish & close tolerances
- 3 year guarantee on mechanical parts
- 1 year guarantee on plate finish

Technical specification

- Solid brass machined body with tubular brass spout
- 1/2" flexi tails for hot and cold
- 2m of 1/4" tube for drinking water
- 1/2" x 1/4" adaptor & 3/8" x 1/4" adaptor supplied
- 380mm high, spout reach 230mm
- Min water pressure 1 bar/15psi, max pressure 5 bar/75psi
- Flow rate: 3.5 L/min at 1 bar

Height 380mm (15")
Depth 230mm (9.06")

